

IN-WALL**AC3 - Dual operating plate**

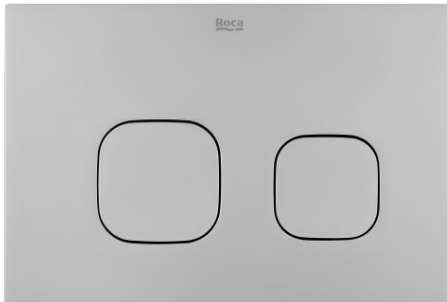
DIMENSIONS

Length	245 mm
Width	165 mm
Height	80 mm

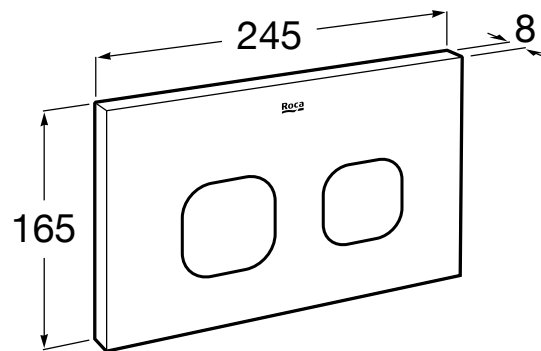
COLOURS AND FINISHES



TECHNICAL DRAWINGS

**FEATURES**

Number of buttons: 2



BOUGHT TOGETHER FREQUENTLY



Installation system for floorstanding WC. With compact cistern and dual flush mechanism 6/3, 4.5/3 and 4/2 litres and installation accessories. Minimum depth: 80 mm. (Preset to 4,5/3L)



Installation system for floorstanding WC. With compact cistern and dual flush mechanism 6/3, 4.5/3 and 4/2 litres and installation accessories. Minimum depth: 80 mm. (Preset to 6/3L)



Installation system for wall-hung WC. With compact cistern and dual flush mechanism 6/3, 4.5/3 and 4/2 litres and installation accessories. Minimum depth with horizontal outlet: 80 mm
Minimum depth with



Installation system for wall-hung wc, brick wall
890060120



Installation system for wall-hung WC. With compact cistern and dual flush mechanism 6/3, 4.5/3 and 4/2 litres and installation accessories. Minimum depth with horizontal outlet: 80 mm
Minimum depth with



Installation system for wall-hung wc, light wall
890060020

In-Wall

Systems that combine efficiency and technology to deliver the best performance.

